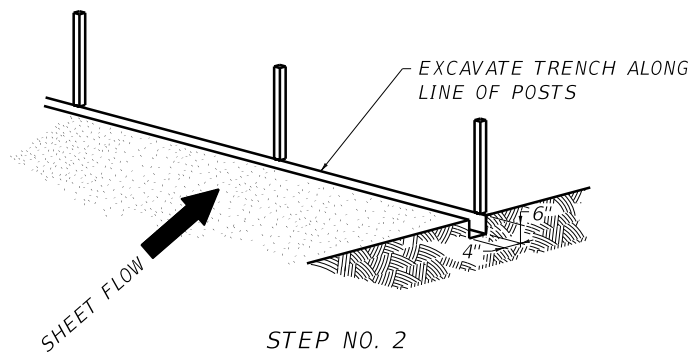
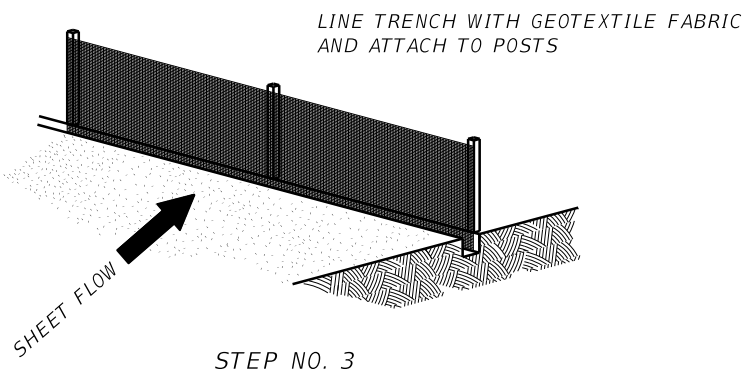


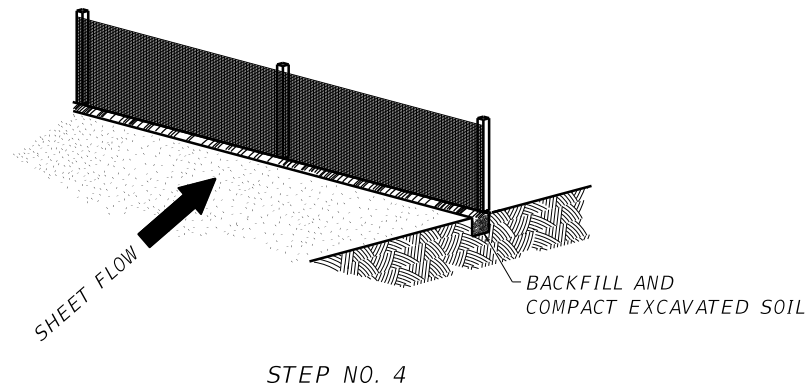
STEP NO. 1



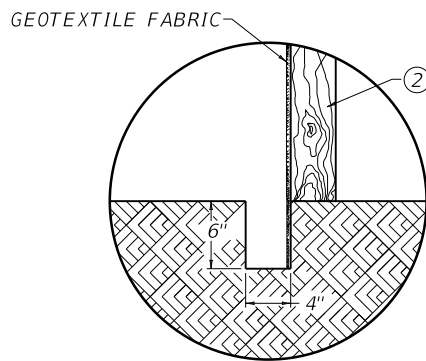
STEP NO. 2



STEP NO. 3



STEP NO. 4



SECTIONAL DETAIL

~ NOTES ~

BID ITEM AND UNIT TO BID
TEMP SILT FENCE LF

1. SEE STANDARD SPECIFICATIONS FOR POST SIZE, GEOTEXTILE FABRIC, WIRE STAPLES AND ALL OTHER PERTINENT INFORMATION.
- ② POSTS MAY BE WOODEN OR METAL T-SECTION.
- ③ POSTS SHALL BE SET 1'-4" DEEP.

KENTUCKY
DEPARTMENT OF HIGHWAYS

TEMPORARY
SILT FENCE

STANDARD DRAWING NO. RDX-210-03

SUBMITTED	<i>William P. Gabel</i>	12-01-15
	DIRECTOR OF DESIGN	DATE
APPROVED	<i>[Signature]</i>	12-01-15
	STATE HIGHWAY ENGINEER	DATE